



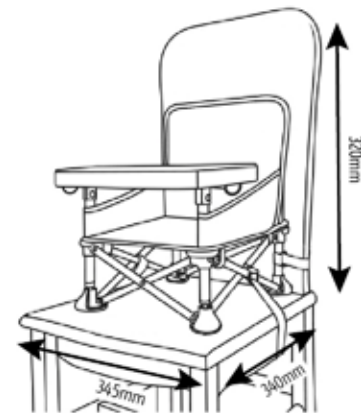
## IMPORTANT! KEEP FOR FUTURE REFERENCE WARNINGS!

Never leave the child unattended. Always use the restraint system and ensure it is correctly fitted. Always use the chair attachment system and ensure it is correctly fitted before use. Always check the security and the stability of the product on the adult chair before use. Do not use this product on stools or benches.

This product is intended for children able to sit unaided (minimum 6 months) and up to 36 months or a maximum weight of 15 kg.



Before attaching the My Little 'Everything Chair', the adult chair must have minimum dimensions of:  
Width: ≈ 345mm  
Depth: ≈ 340mm  
Backrest Height: ≈ 320mm



Ensure the adult chair that the My Little 'Everything Chair' is placed on is in a position where the child is not able to use their feet to push against the table or any other structures as this may cause the adult chair to tip over.

Before each use, inspect the product. Do not use the My Little 'Everything Chair' if any part is broken, torn or missing.

Do not use accessories or replacement parts for the My Little 'Everything Chair' other than those approved by My Little Coco.

Do not use the My Little 'Everything Chair' directly on the floor or on elevated surfaces other than an adult chair that the product is intended to be secured to.

Inspect the adult chair for damage prior to attaching the My Little 'Everything Chair'. Ensure the floor the adult chair is positioned on is flat and stable. Do not attach the My Little 'Everything Chair' to rocking, folding or wheeled chairs and chairs with solid armrests.

Not for use by more than one child at a time. Do not let other children play unattended near the My Little 'Everything Chair' whilst in use.

Do not position near cords, cables, windows or heat sources.

Opening and closing of the My Little 'Everything Chair' should only be done by an adult. During this children should be kept away to ensure they do not come into contact with the moving parts. Do not adjust the chair whilst in use by a child.

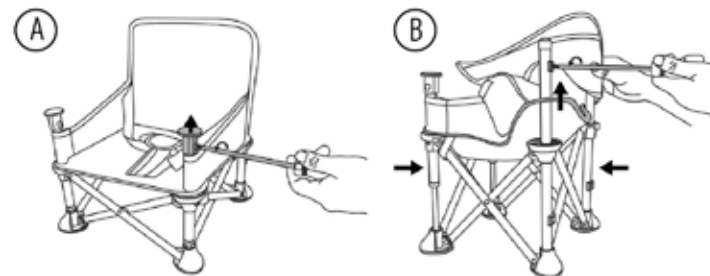
Always ensure the child is securely strapped into place using the harness.

Store out of reach of children when not in use.

Before use, remove and dispose of plastic bags and other packaging materials.

### Cleaning instructions:

- When cleaning the My Little 'Everything Chair' please also inspect for broken, damaged or missing parts. Should this occur discontinue use.
- Spot clean with a damp cloth. Ensure the tray is cleaned before and after each use.
- Should the fabric become soiled in a way that cannot be cleaned with a damp cloth the fabric can be removed and washed by hand in cold water. Instructions to do this can be found below.

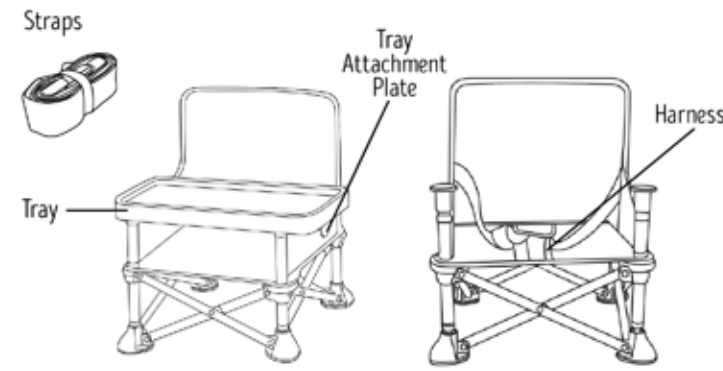


- Undo the hook and loop straps on the underside of the chair.
- Use a phillips screwdriver to remove the fixing screws at the top of the upright poles at the front of the My Little 'Everything Chair' and remove the cap. (A)
- Make sure the My Little 'Everything Chair' is closed. Slide the back fabric over the top of the rear upright poles. Remove the screws in the plate at the top of each pole and then remove the caps from the top of the poles. (B)
- Carefully slide the fabric up and over the top of the poles.
- Wash in cold water and leave to dry naturally. Do not machine wash or tumble dry.
- Reverse the steps to replace the fabric. Ensure all screws are securely back in place before use.

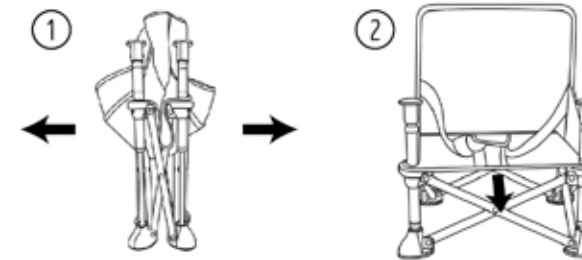


Fibre Composition:  
Fabric: 100% Polyester  
Straps: 100% Polypropylene

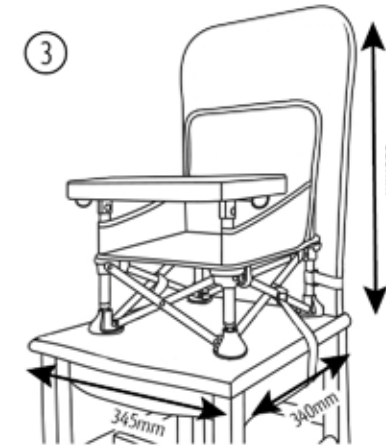
### How to set up the My Little 'Everything Chair':



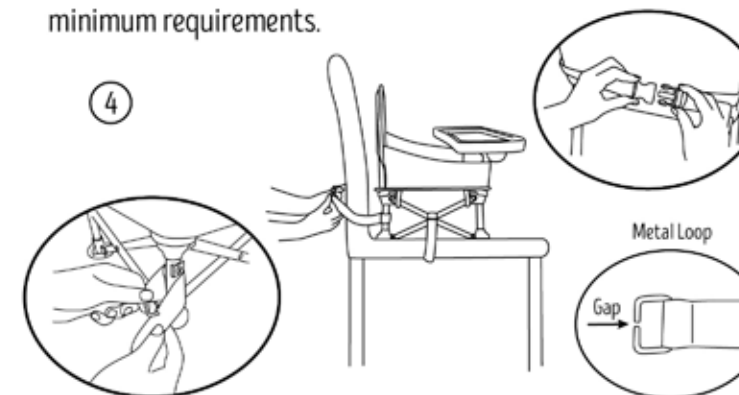
1) Remove the My Little 'Everything Chair' from the carry bag. Hold both front legs just below the fabric and carefully pull apart.



2) Once partially opened press down on the seat to fully open the chair.

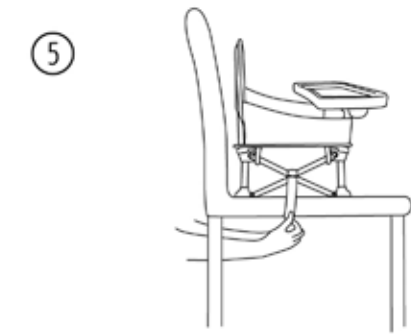


3) Check the dimensions of the adult chair meet the minimum requirements.

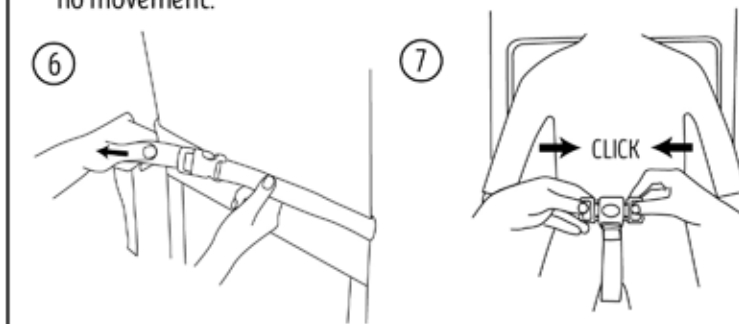


4) Pass the metal loop of the strap around the lower section of the back leg. Slide the strap through the gap in the loop and pull tight to ensure it is secure around the frame. Repeat on the other side. Pass the buckle around the back of the chair and clip together.

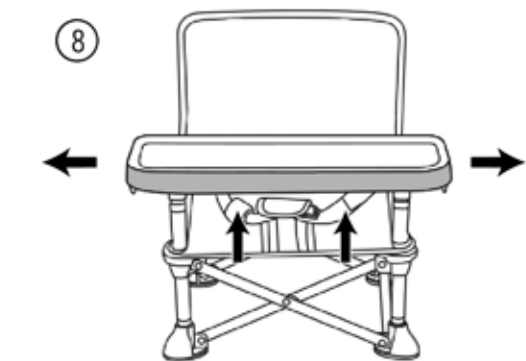
5) Pass the metal loop of the strap around the X on the side of the frame. Slide the strap through the gap in the loop and pull tight to ensure it is secure around the frame. Repeat on the other side. Pass the buckle under the chair and clip together.



6) Pull the strap at both buckles to ensure the My Little 'Everything Chair' is tightly secured to the adult chair with no movement.



7) Before placing the child into the My Little 'Everything Chair' open the harness and loosen the straps. Place the child into the chair. Clip both sides of the harness into place and then pull on the loose straps on either side to tighten the harness. Ensure the child is securely held in place by the harness so that they cannot free themselves. Fold the buckle cover over and connect the hook and loop patches so that the child cannot access the buckle.



8) Pull on the tray attachment plates either side of the tray and slide the tray into position over the caps on top of the front legs of the My Little 'Everything Chair'.

Reverse the steps to remove the child from the chair and pack away for storage.