



# Nscosity®

Instruction Manual

## Digital Wireless Camera Monitor NSDCM-2528



**BABY**  
essentials  
*by Nscosity™*

[www.nscosity.co.uk](http://www.nscosity.co.uk)

**IMPORTANT!**  
KEEP FOR FUTURE  
REFERENCE

# Necessity®

## Digital Wireless Camera Monitor

**Model: NSDCM-2528W**

### Package Contents

- |                          |                                    |
|--------------------------|------------------------------------|
| a) 1 x Camera Unit       | e) 1 X Li-ion Rechargeable Battery |
| b) 1 x Monitor Unit      | f) This Instruction Manual         |
| c) 2 x AC/DC Adaptors    | g) Quick Start Guide               |
| d) 1 x AV Connector Cord |                                    |

If you find any of the above is missing, please contact your retailer or the Necessity Helpline.

**WARNING – SMALL PART HAZARD** Remove and discard the cover from the camera lens.

### Instruction Leaflet Contents

Safety Instructions .....	3
Introduction .....	4
Before Use .....	4
Installing/Removing Batteries .....	5
Operating Instructions .....	6-9
Radio Interference Advice .....	9
Troubleshooting .....	10
Battery and Product Disposal .....	11
Service and Warranty .....	11
Specification.....	<b>Back Cover</b>

# Safety Instructions

Please read this instruction manual before using your Digital Colour LCD Wireless Monitor for the first time and keep safe for future reference.

**When using electrical appliances, basic safety precautions should always be followed:**

1. Extreme care should be taken when any product is used by, or near children and the elderly. Keep out of reach of children when not in use.
2. This product should not be relied upon as the sole means of monitoring, and is not a substitute for responsible adult supervision of children, adults or property.
3. Check the household voltage to ensure it matches the appliance's rated specification.
4. Only use the Digital Colour Wireless Monitor & Camera with the power adaptors supplied.
5. DO NOT attempt to charge any other battery in your Colour Digital Wireless Monitor; it is designed to only charge the battery supplied.
6. DO NOT mix old and new, standard and alkaline or rechargeable and non-rechargeable batteries.
7. To prevent strangulation with the power cord, never place the camera (or monitor) within easy reach of a child.
8. Always place your LCD Monitor where air can freely circulate, do not onto furnishings, soft bedding, blankets, or the corners of cupboards, bookcases etc.
9. To prevent overheating, place the Digital Colour Wireless Monitor away from heat sources like radiators, fires, cookers and sunlight.
10. Locate your Digital Colour Wireless Monitor away from TVs, Radios and other wireless equipment that may cause interference.
11. DO NOT let children play with the packaging, for example the plastic bags, lens cap, cable ties, etc.
12. Periodically examine this product for damage to the cord, housing or other parts that may result in the risk of fire, electric shock or injury. DO NOT operate any product with a damaged cord or plug. If your Digital Colour Wireless Monitor malfunctions or is damaged in any manner, to avoid a hazard return it to your retailer or an authorised service facility for examination and repair or contact the NScensity helpline on 0870 765 2574.
13. DO NOT attempt to repair or adjust any electrical or mechanical functions on this unit as this may void warranty.
14. Always unplug the charger and remove the battery if you do not intend to use your Digital Colour Wireless Monitor for a long period.
15. To disconnect from the power supply, grip the transformer and pull from the power socket. Never pull by the cord.
16. This product is not intended for use in wet or damp locations. Never locate the Digital Colour Wireless Monitor or charger where it may fall into a sink or other water container.
17. When not in use always store in a dry place.
18. Before you dispose of your Digital Colour Wireless Monitor you must remove the battery and dispose of it responsibly. Dispose of old, defective batteries and product in an environmentally friendly manner and in accordance with relevant legislation.

## Caution

- This product cannot replace responsible adult supervision of a child. You should personally check your child's activity at regular intervals.
- Never use this Digital Colour Wireless Monitor where your life or health, the life or health of others, or integrity of property depends on its function. The manufacturer will not accept any responsibility or claim for death or injury of any person or loss and/or damage of any property due to malfunction or misuse of the product.

**Inappropriate use of this Colour Wireless Monitor could lead to prosecution. Use this product responsibly.**

## Introduction

Congratulations on the purchase of the NScensity Digital Colour Wireless Monitor, which incorporates the latest advanced technology. We are sure that you will be pleased with the quality and features of this product but recommend that you read these instructions fully to get the best from your purchase.

This 2.4GHz DIGITAL Colour LCD Wireless Monitor enables you to transmit picture and sound signals cordlessly, which is ideal for many situations such as monitoring a baby, young children or the elderly. It can also be used for household security or as an office or warehouse surveillance system etc.

Your LCD Colour Monitor can be powered by battery or mains power. When fitting the battery please ensure it is inserted correctly and the screw is tightened securely.

Should your Digital Colour Wireless Monitor not work correctly or if you have any questions regarding its operation or require spare parts, please call our help line on 0870 765 2574 or send an email to [info@nscensity.co.uk](mailto:info@nscensity.co.uk).

## Before Use

### Choose a location

- Choose a location for the camera away from televisions, TV signal boosters and radios. Strong radio signals generated by these products may cause noise or even retransmitted images on the monitor unit. If this happens move the camera to a different location.
- Make sure the camera is located on a flat, stable surface; out of reach of children and away from heat sources and soft furnishings.

### Connection of Power Supply

- The Camera is only designed to be used with the AC/DC adaptor provided.
- The LCD Colour Monitor is designed to be powered by either battery or the AC/DC adaptor provided. The rechargeable li-ion battery must be charged for at least 8 hours before using for the first time.

### Using the Batteries

- The monitor unit requires a Li-ion rechargeable battery to operate. We recommend you do not use any other battery, however, if a non-approved battery is used DO NOT connect the mains adaptor to the unit.
- Your Digital Colour Wireless Monitor is supplied with ONE Li-ion rechargeable battery. This is to be fitted into the monitor. Reconnect the monitor to the adaptor whenever possible to maintain the portable viewing facility.
- Always replace battery with the same type.
- To order a replacement battery, please call our helpline on 0870 765 2574.
- Please dispose of old, defective batteries in an environmentally friendly manner in accordance with the relevant legislation.

## Installing/Removing Batteries

### Monitor

- Undo the screw on the battery cover (12) until loose (NB the screw should not be completely removed), push down on the cover and slide the battery cover off the unit.
- Insert the Li-ion battery (supplied) in accordance with the markings on the battery compartment.
- Refit the battery cover and secure with the screw.

### PLEASE NOTE

- When the power indicator light (4) on the monitor unit changes to amber or the video image shrinks, it is time to recharge the battery.
- Remove the battery during long period of non-use.

### AC/DC adaptor

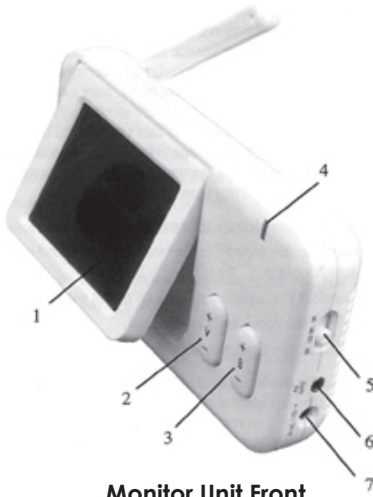
- Check that only the approved Li-ion rechargeable battery is installed in the monitor.
- Plug the connector into the AC adaptor to the sockets (7 & 20).
- Plug the adaptor into a mains socket.
- Switch on the power switches of the units (5 & 18).

### Battery Charge Remaining (when not connected to a charger)

- GREEN = fully charged (4).
- AMBER = low battery, recharge for continuous operation (4).

### WARNING

- The LCD Monitor has a built-in recharging circuit. Before plugging in the AC adaptor, please make sure only approved rechargeable Li-ion batteries (or no batteries) are inside the battery compartment.
- Improper use of the adaptor may cause malfunction of the units. Please consult your retailer or our helpline for any queries. Use only the AC adaptors supplied with the packaging.



**Monitor Unit Front**



**Monitor Unit Rear**

- 1 2.4" Colour LCD Screen
- 2 Volume Control
- 3 Brightness Control
- 4 Power ON LED Indicator

- 5 LCD and Power ON/OFF
- 6 AV Output
- 7 DC Power input
- 8 Speaker

- 9 Tilt Screen Release
- 10 Antenna
- 11 Channel Selector
- 12 Battery Door

## Operating Instructions

### Monitor Tilt Screen (1)

- The monitor screen can be set at an angle for improved viewing.
- To tilt the LCD screen (1), gently press down on the right hand corner of the frame before pressing the LCD Tilt Screen Release button (9). The screen will pop out slightly for adjustment to the desired angle. The Screen does not move beyond 90°.

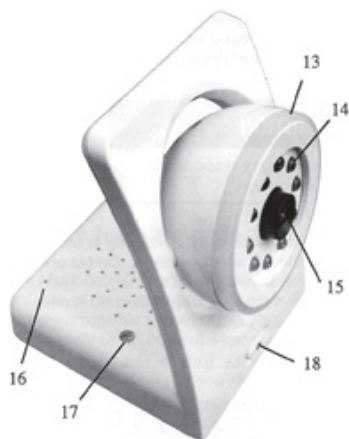
NOTE: To close, gently push the framed edge of the screen until it latches. Do not press directly on to the LCD screen.

### Volume Control (2) & Brightness Control (3)

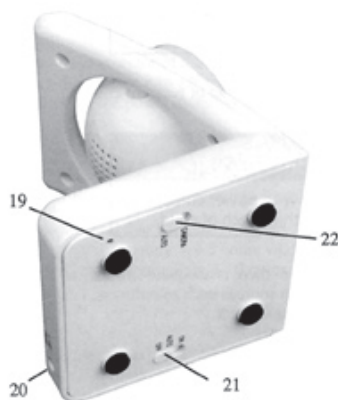
- The Volume Control of the LCD can be adjusted by pressing the "V+" or "V-" Volume Control Button located on the front of the Monitor (2).
- The Brightness Control of the LCD can be adjusted by pressing the "B+" or "B-" Brightness Control Button located on the front of the Monitor (3).

### Power On/Off and LCD Off (5)

- This switch is located on the side of the Monitor.
- To turn on the monitor - slide the switch to the "ON" position.
- To turn ON the camera unit, press the ON/OFF switch (18) located at the front of the camera for about 1 second.
- When the Monitor is switched to LCD OFF position and the Camera is on, there will be no picture displayed on the Monitor screen. The unit will use only a small amount of power and you can still hear the sound signal from the monitored area.
- To turn off the monitor slide the switch to the "OFF" position.



**Camera Unit Front**



**Camera Unit Bottom**

- 13 Night Light
- 14 IR Night Vision LEDs
- 15 Lens
- 16 Microphone

- 17 Light Sensor
- 18 Power ON/OFF with LED
- 19 Pairing Button
- 20 DC Power Input

- 21 Night Light MODE Switch
- 22 Camera MODE Switch

### The Out of Range Indicator

- The monitor screen will black out with an error message "VOX MUTE/NO LINK" when out of range.

### Audio / Video Output (6)

- The Audio/Video Output allows you to link the monitor to a TV, computer, DVR or other video recording device so you can capture video and sound from the camera transmission.
- The AV Output Jack (6) is located on the right side of the monitor.
- Simply connect the supplied AV connector cord to the jack and connect the other ends (three RCA connectors) to the Audio & Video input jacks on your TV, VCR or other AV devices. Select the appropriate input on your device.
- The Monitor Screen will automatically turn off once you plug in the AV cord to the Monitor. (Please refer to your device manual for input selection & operation).

### Receiving Antenna (10)

- Situated neatly on the top of the Monitor. Lift up gently to improve reception.
- DO NOT twist or apply any force to the antenna arm - it will not move beyond 90°.

### Channel Selection (11)

- 3 channels are provided to enable you to have more than one Camera in use with the same Monitor. You can switch channels on the Monitor using the button at the back of the unit or select "SCAN" (see Auto Scan below).
- Select the channel (A, B or C) of the Camera that has been set with that specific channel. The Monitor and Camera will be initially set on Channel A.
- You will need to "pair" additional cameras to the monitor using different channels for each camera. (See Pairing a New Camera below).
- Your LCD monitor will display the selected channel at the top left corner of the screen.

## Automatic Channel Scan

- This product is designed to allow monitoring of different areas with up to 3 cameras. To select this option choose SCAN on the Channel Selection Switch (11). This will allow the monitor to flick between all channels/cameras every 5-10 seconds.
- The Monitor and Camera will be initially set on Channel A.
- If you wish to add an additional Camera for monitoring another area you will need to match or "pair" the new camera to a different Channel on the monitor (see Pairing a New Camera below).
- You can deactivate this feature by selecting only the channel of the camera you want to use by using the Channel Selection Switch (11).

## Pairing a New Camera

- Connect to the mains using the adaptors provided.
- Turn OFF both the Monitor and the NEW Camera (on the units themselves (5 & 18) not by the mains switch). Place them not more than 3 feet (1 meter) apart.
- Turn ON the NEW Camera. Press the hidden PAIRING button by using a pin. This is situated underneath the camera next to one of the feet (19). The Nightlight will start blinking rapidly to indicate pairing mode.
- Slide the Channel Selection Switch (11) to select the desired new Channel (B or C).
- Press and hold the "B+" brightness button on the front of the Monitor (3) and keep this held down while at the same time you turn ON the monitor (5). If this is not done simultaneously the pairing function will not work.
- The Monitor will beep and display the word "PAIRED" on the screen.
- Turn off both the Camera and Monitor; then turn both units back on. The pairing process is completed and you should have a picture displayed on screen.
- Repeat the above process to pair a new camera on a separate channel.
- If you experience any difficulties please call our helpline on 0870 765 2574.

## To Disconnect a Paired Camera

- Turn OFF the Monitor (5).
- Select the Channel/Camera you want to disconnect/de-link on the Monitor (11).
- Press and hold the "B-" on the brightness control button (3) and ALSO the "V+" on the volume control button (2) while simultaneously turning ON the monitor.
- The LCD screen will display the word "DONE" when the units are successfully unpaired.
- Turn OFF both the camera and the monitor to complete the process.

## Infrared Night Vision (Automatic) (14 & 17)

- The infrared night vision of the camera is designed to allow the camera to pick up pictures during darkness or periods of very low levels of light.
- In this mode only black and white images will be displayed on the monitor and only objects placed within 6ft/2m will be monitored.
- The camera constantly monitors the light and will switch to infrared mode whenever there is insufficient light for normal vision so that you don't need to disturb your sleeping child.



## Night Light switch (21)

- ON – The Night Light will be turned ON continuously.
- AUTO – On this setting the Night Light will turn on whenever low light levels are detected. The Night Light will automatically turn off when light levels increase around the camera.
- OFF – The Night Light will be OFF.

## Camera MODE switch (22)

- **AUTO** – in this mode the camera monitors your child or the secure area and transmits whenever a noise is detected.
- This mode is especially useful at night and conserves power while the camera is not transmitting allowing you to sleep. Whenever a noise is detected the camera will resume transmission alerting you to the activities of your child or in the secure area.
- When you select **AUTO** mode on the unit and there is no noise around the camera it will stop transmitting. It may appear to be off but is still listening while using the minimum power. The monitor screen will turn off when the camera is not transmitting.

**NOTE:** TO DEACTIVATE THIS FUNCTION SELECT **CAMERA** MODE ON THE CAMERA (22).

- **CAMERA** – in this mode the camera transmits continuously, useful for continuous monitoring of your child or secure area.

## Radio Interference Advice

This equipment has been tested and found to comply with the requirements of the RTT&E Directive 1995/5/EC. These requirements are designed to provide reasonable protection against harmful interference in a residential installation. This equipment generates, uses and can radiate radio frequency energy and if not installed and used in accordance with the instructions, may cause harmful interference to radio communications. However, there is no guarantee that interference will not occur in a particular installation. If this equipment does cause harmful interference to radio or television reception, which can be determined by turning the equipment off and on, the user is encouraged to try to correct the interference by one or more of the following measures:

- Reorientate the receiving antenna (10) or relocate the monitor.
- Increase the separation between the affected equipment and the Digital Colour Wireless Monitor.
- Connect the equipment into an outlet on a mains circuit different from that to which the receiver is connected.
- Consult the your retailer or an experienced radio/TV technician for help.

In order to maintain compliance with RTT&E Directive 1995/5/EC, special shielded cables are used within this equipment. Operation with non-approved equipment or unshielded cables is likely to result in interference to radio or TV reception. You are advised that changes and modifications made to the equipment without the approval of manufacturer could void your authority to operate this equipment.

## Troubleshooting

Problem	Possible Cause – things to do/check
Screen turns on and off	<ul style="list-style-type: none"> <li>• If AUTO mode is selected on the camera, when there is no noise detected by the camera it stops transmitting to save power.</li> <li>• Select CAMERA mode to disable this function (22)</li> </ul>
No reception at Monitor	<ul style="list-style-type: none"> <li>• Unit has not been switched on.</li> <li>• Not paired correctly.</li> <li>• AC/DC adaptor has not been connected.</li> <li>• Adjust the position of the Camera or Monitor.</li> <li>• No Battery Power - check LED indicator (4)</li> <li>• The camera may not be transmitting - either not powered "on" or in voice activation mode (22)</li> <li>• Wrong channel selected (11)</li> </ul>
No picture display but can hear sound	<ul style="list-style-type: none"> <li>• Check the power on/off switch - LCD OFF selected (5)</li> <li>• Low Power - check the LED indicator (4)</li> <li>• Check lens cap is removed.</li> </ul>
Only Black & White picture displayed	<ul style="list-style-type: none"> <li>• Camera has switched to Infrared mode due to low light levels.</li> </ul>
Batteries cannot be recharged	<ul style="list-style-type: none"> <li>• AC/DC adaptor has not been connected.</li> <li>• Non-rechargeable battery has been used.</li> <li>• Only the specially designed rechargeable batteries can be recharged with the AC/DC adaptor. Please contact your retailer or the NScensity Helpline if you have any queries.</li> </ul>
No transmission at Camera	<ul style="list-style-type: none"> <li>• Unit has not been switched on (18)</li> <li>• AC/DC adaptor has not been connected (20)</li> <li>• Check the camera - if AUTO mode is selected, switch to CAMERA (22)</li> </ul>
Camera will not link to the monitor	<ul style="list-style-type: none"> <li>• Units have not been switched on (5 &amp; 18)</li> <li>• AC/DC adaptor has not been connected to the mains (7 &amp; 20)</li> <li>• Check to make sure you have selected the correct channel or Autoscan (11)</li> <li>• Has the lens cap been removed?</li> <li>• Is the unit paired correctly? Follow pairing procedure (19)</li> </ul>

## Battery & Product Disposal

- The WEEE directive (Waste Electrical and Electronic Equipment; 2002/96/EC) has been put in place to ensure that products are recycled using best available treatment, recovery and recycling techniques to ensure human health and environment protection.
- Your product is designed and manufactured with high quality materials and components, which can be recycled and reused.
- Waste electrical products should not be disposed of with household waste. Please recycle where facilities exist.
- Check with your Local Authority or retailer for recycling advice.
- When you dispose of the Wireless Monitor remember to remove the batteries and dispose of them responsibly.
- Do not mix products bearing the crossed out bin symbol with your general household waste. For the correct collection and treatment of these products take them to the collection points designated by your local authority. Alternatively contact the retailer who sold you the product.



## Service and Warranty

NScesity Products guarantees this product free from defects in materials and workmanship for a period of one (1) year. Should this unit be operated under conditions other than those recommended, at voltages other than the voltage indicated on the unit, or any attempts made to service or modify the unit, this will render this WARRANTY VOID. The product you buy may sometimes differ slightly from illustration. This warranty is in addition to, and does not affect, your statutory rights.

**Should you have a problem with this product or require spares, please contact your retailer or telephone our help desk on Tel: 0870 765 2574 or visit our website at [www.NScesity.co.uk](http://www.NScesity.co.uk)**

This product has been manufactured to comply with CE Directives 2006/95/EC and 2004/108/EC

NScesity has a large range of premium products. We endeavour to ensure NScesity Products are the best you can get in their categories, we are very proud of them! Please visit our website for further information, [www.NScesity.co.uk](http://www.NScesity.co.uk)



## Specification

Model No: NSDCM-2528W

Input: 100-240V AC 50-60Hz 150mA

Output: 6VDC 800mA

Display: 2.4 Inches (320 x 240 pixels)

Range: 300m\*

\* *Open Field Range*



**BABY**  
essentials  
*by* NScessity™

**NScessity**®

**Tel: 0870 765 2574**

**[www.nscosity.co.uk](http://www.nscosity.co.uk)**

**GU8 6BD**